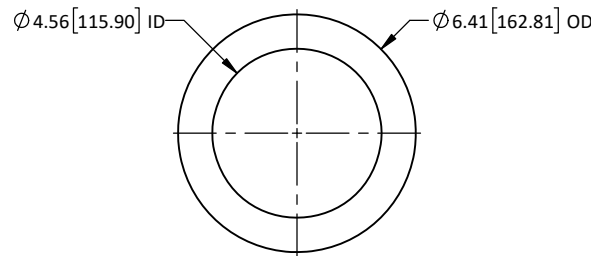
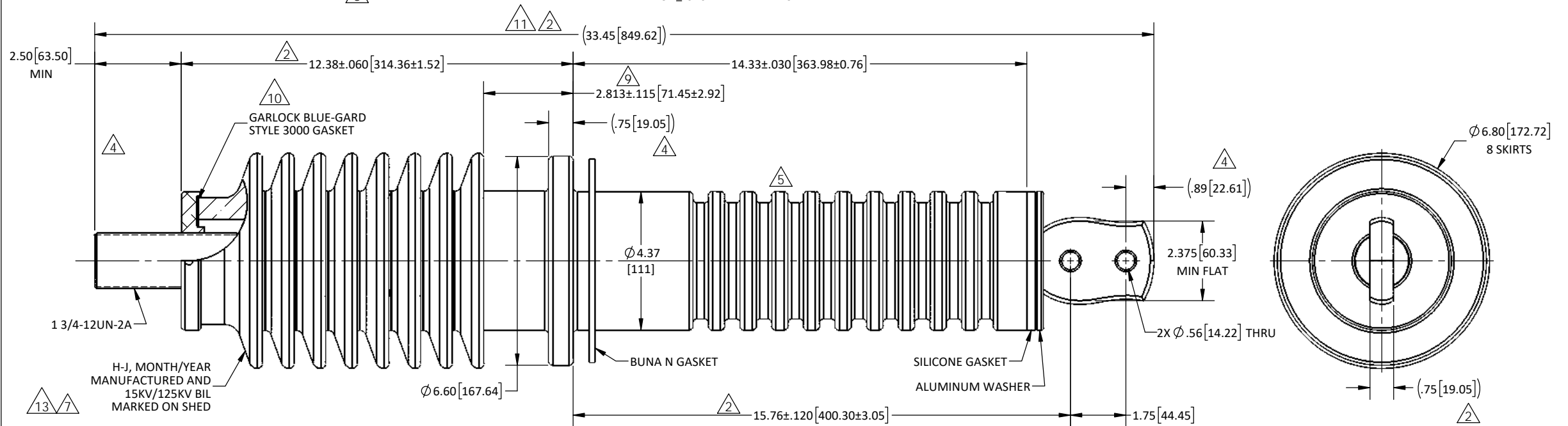


**ROOF MOUNTING FLANGE**  
REQ'D: 2 PER ASSY  
MAT'L: ALUMINUM  $\triangle 8$



**BUSHING TO ROOF GASKET**  
REQ'D: 1 PER ASSY  
MAT'L: .19"  $\pm$  .020 THK NITRILE BUNA N  $\triangle 2$

REVISIONS					
REV.	DATE	ECN #	DESCRIPTION	BY	APP'D
1	11/1/01		CHG'D PART # FROM ASXXXX-023	CJT	LHE
2	12/20/01		REV DIMS AND TOLS	CJT	JFS
3	3/1/02	HJ02-033	CHG'D MIN CREEPAGE, FROM 24.5 & 18.3	CJT	JFS
4	2/19/03	HJ03-012	ADD DIMS	CJT	SP
5	3/24/03	HJ03-033	ADDED 2 SKIRTS/REV CREEP FROM 18.69	CJT	SP
6	10/23/03	HJ03-112	ADDED NOTE 7	CJT	SP
7	5/11/04	HJ04-088	REV DESCRIPTION. ADDED NOTES 8 & 9. ADDED SHED MARKING & CERT NOTE	JRM	SP
8	3/26/07	HJ07-035	REM TENZALLOY	PWD	JM
9	12/13/13	HJ13-309	ADDED DIM	CLS	BLB
10	11/17/14	HJ14-248	ADDED CAP GASKET	CJT	BLB
11	4/7/15	HJ15-077	CORRECTED DIM, WAS 33.29-TO-33.45. SW REDRAW. REFORMATED DWG TO C-SIZE	TJF	BLB
13	2/26/2016	HJ16-028	REM LABEL NOTE. EDITED DIM. REFORMATED DWG TO B-SIZE	TJF	BLB
14	4/5/2017	HJ17-093	UPDATED LAPDEM CERT #: WAS NRF-008-CFE-2000 -TO- CFE 53100-84. UPDATED CFE, WAS BE1C125200-TO-BE1C252000	TJF	BLB



**PORCELAIN NOTES:**

1. WET PROCESS ELECTRICAL PORCELAIN
2. GRAY GLAZE MUNSELL 5BG 7.0/0.4
3. TOLERANCE  $\pm 3\%$  WITH NOTHING LESS THAN  $\pm .03$ , UNLESS OTHERWISE NOTED ON DRAWING
4. BIL: 125kV
5. 60HZ WITHSTAND: 50KV DRY  
45KV WET
6. CREEPAGE: > 25.20" TOP  
> 18.30" BOTTOM
7. TOP & BOTTOM TERMINALS ARE TIN PLATED
8. APPROVED FOR COASTAL AND HIGH CONTAMINATION ENVIRONMENTS.
9. FOR AIR-TO-AIR APPLICATION.

$\triangle 7$   $\triangle 14$   
CERTIFIED BY CFE/LAPDEM (CFE BE1C252000)  
BASED ON MEXICAN STANDARD CFE 53100-84

PROPRIETARY AND CONFIDENTIAL  
THE INFORMATION CONTAINED IN THIS DRAWING IS THE SOLE PROPERTY OF H-J ENTERPRISES, INC. ANY REPRODUCTION IN PART OR AS A WHOLE WITHOUT THE WRITTEN PERMISSION OF H-J ENTERPRISES, INC. IS PROHIBITED.  
REMOVE ALL BURRS & SHARP EDGES

TOLERANCES (EXCEPT AS NOTED) DIMENSIONS ARE SHOWN IN INCHES	
DECIMAL	$\pm .032 / 8mm$
FRACTIONAL	$\pm$
ANGULAR	$\pm 2^\circ$



H-J ENTERPRISES, INC. 3010 HIGH RIDGE BLVD. HIGH RIDGE, MD. 63049 USA PHONE 1-636-677-3421 FAX 1-636-376-1915		
15KV/125KV BIL/2000A PORCELAIN BUSHING ASSEMBLY		
MATERIAL SEE DRAWING		
CHK'D -	APP'D -	DRAWING NO.
SCALE N.T.S.	AS1424-001	
DRAWN BY CJT	DATE 6/6/01	SCALE N.T.S.

$\triangle 13$   $\triangle 11$   $\triangle 1$